



1. This drawing is a proposed drawing for discussion only

contact www.savannatanks.co.bw

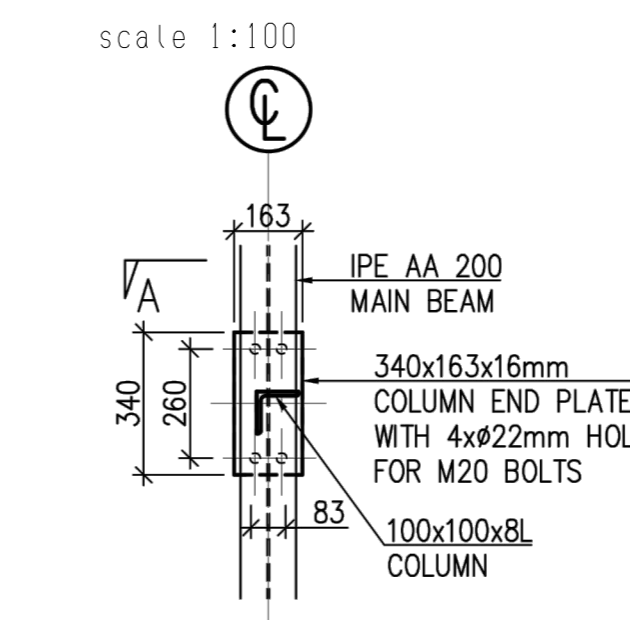
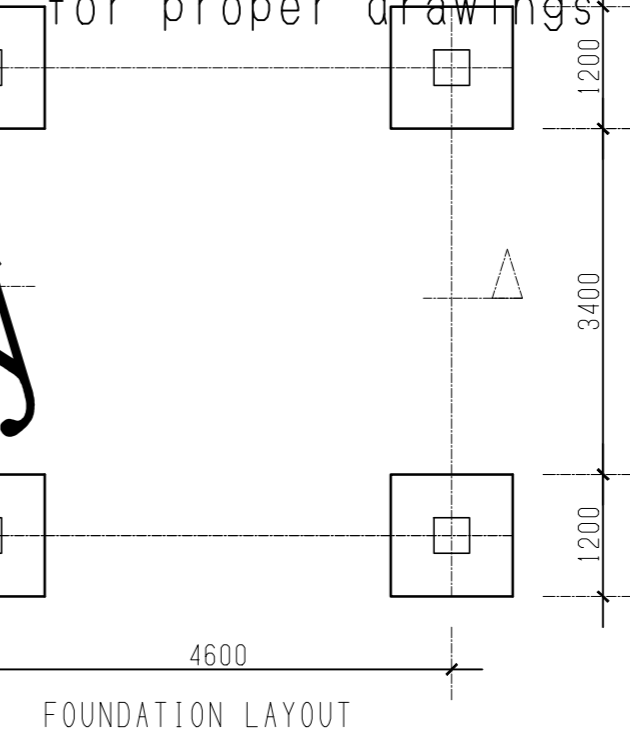
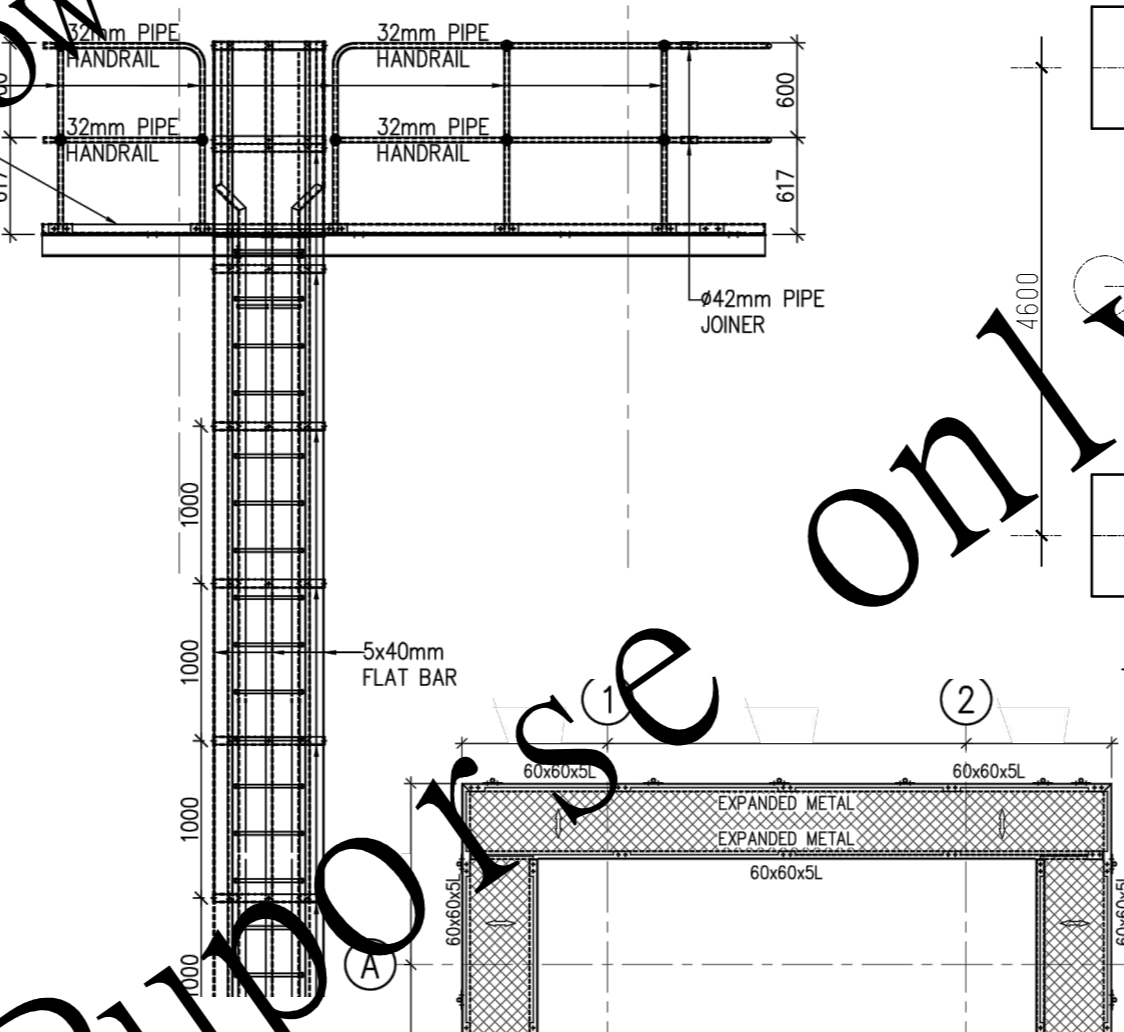
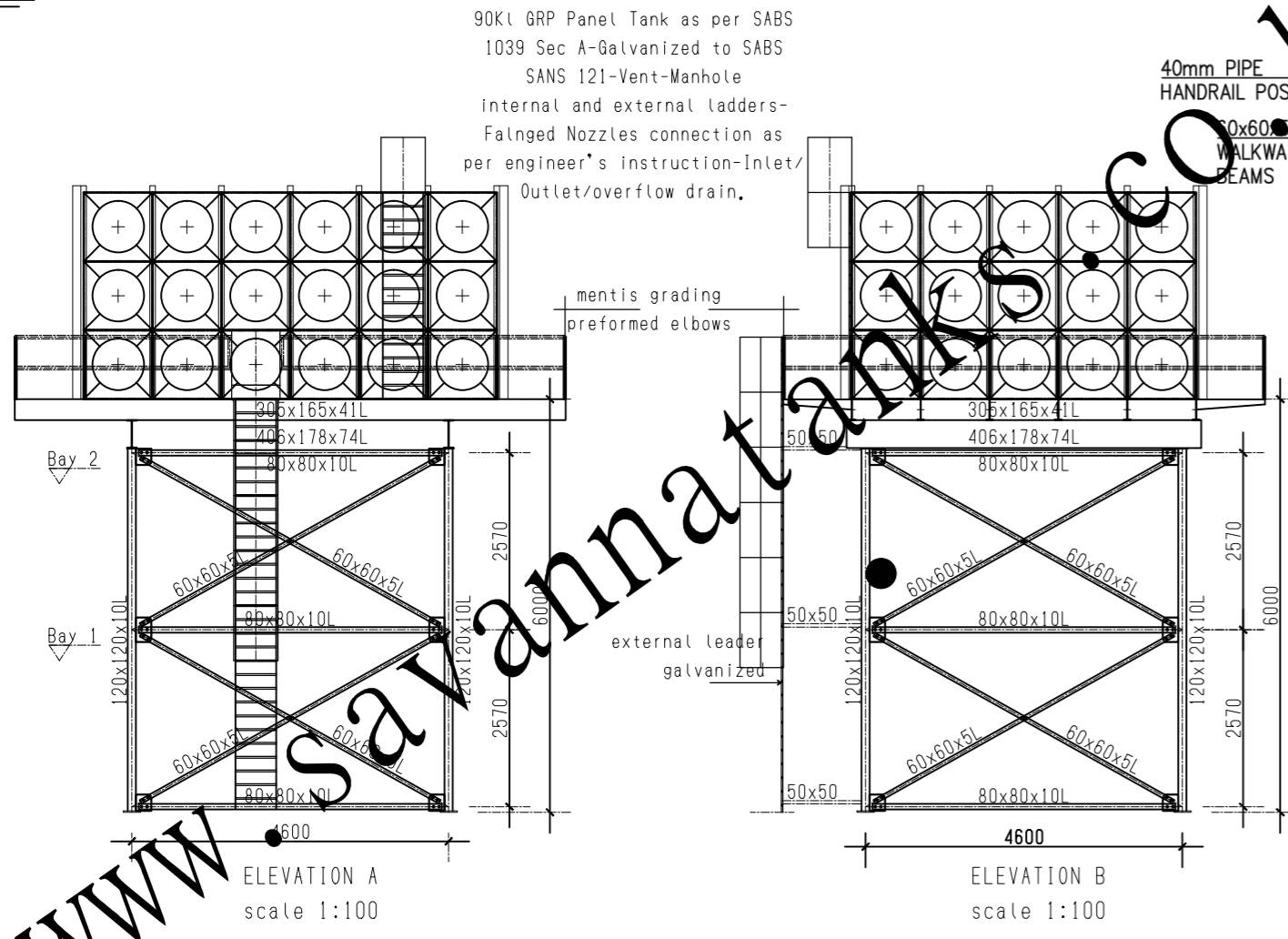
for proper drawings with engineering certification

- CONCRETE GRADES**
 THE FOLLOWING CONCRETE GRADES ARE TO BE ADOPTED FOR CONSTRUCTION.
- 1/ ALL MASS CONCRETE FILL AND BLINDING LAYERS GRADE 15MPa.
 - 2/ ALL FOUNDATION SLABS GRADE 30MPa.
 - 3/ ALL DWARF WALLS

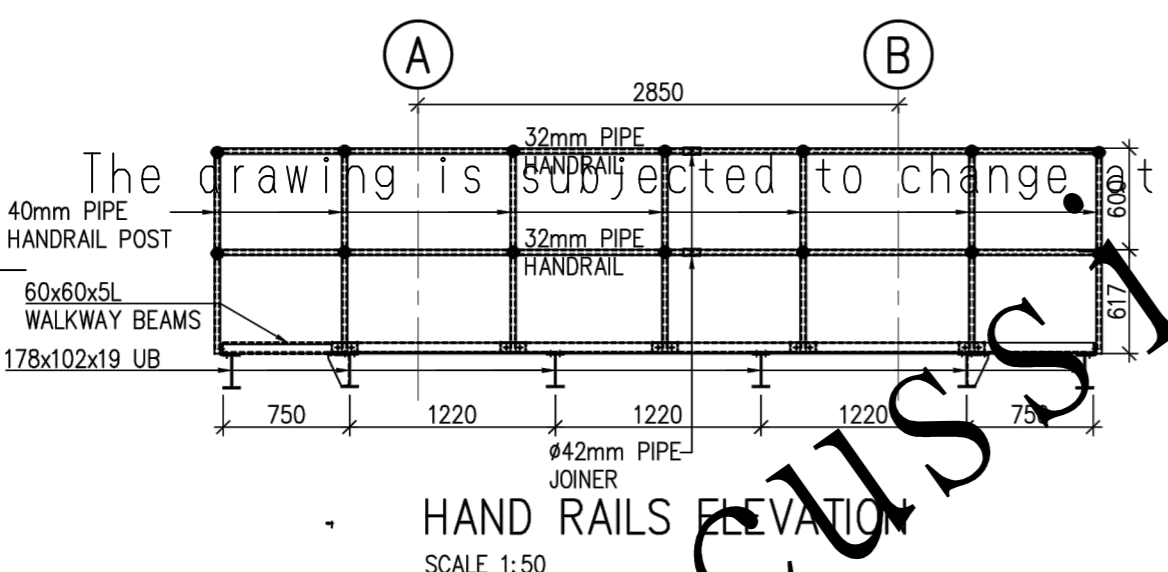
GENERAL SPECIFICATION

- NOTES ON FOUNDATION CONSTRUCTION**
- 1/ TOPSIDE OF RAFT TO BE 50MM ABOVE FINISHED GROUND LEVEL TO ALLOW FOR DRAINAGE.
 - 2/ SOIL UNDER RAFT TO BE CAPABLE OF SUSTAINING A MIN. ALLOWABLE BEARING PRESSURE OF 100kPa WITHOUT FAILURE OR EXCESSIVE SETTLEMENT.
 - 3/ MAKE UP ANY OVER EXCAVATED AREAS TO UNDERSIDE OF RAFT FOUNDATION AND ASSOCIATED STRUCTURE WITH CEMENT STABILISED (5% BY WEIGHT) SELECTED INERT NON-EXPANSIVE MATERIAL, COMPACTED IN LAYERS NOT EXCEEDING 150mm.
 - 4/ ONLY OR 1/500 DEFLECTION ALLOWED
- REINFORCED CONCRETE WORK**
- 1/ ALL UPSTAND BEAMS 200 WIDE
 - 2/ ALL EXPOSED CONCRETE TO HAVE SMOOTH OFF SHOOTER FINISH U.N.O.
 - 3/ ALL EXTERNAL CORNERS TO HAVE 30mm CHAMFERED FINISH.
 - 4/ ALL CONCRETE TO BE GRADE 30MPa

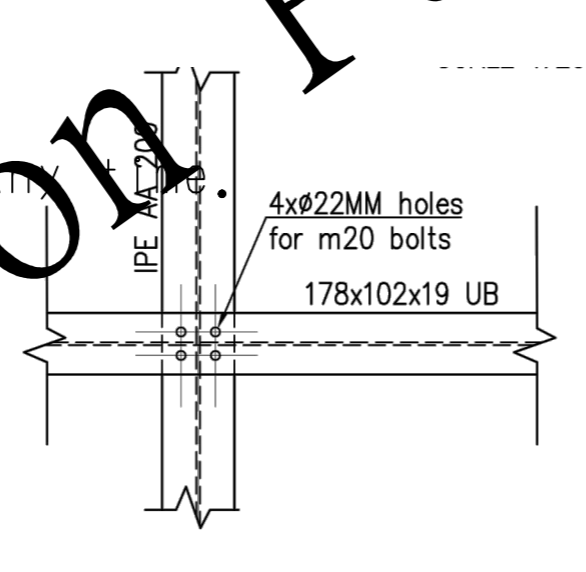
- NOTES ON REINFORCEMENT**
- 1/ COVER TO REINFORCEMENT
 - 40mm COVER TO BASE SLAB
 - 30mm COVER TO DWARF WALL/BREAM
 - 2/ ENGINEER TO INSPECT AND APPROVE FINAL STEEL FIX PRIOR TO CASTING CONCRETE.
 - 3/ ALL REINFORCEMENT STEEL TO COMPLY WITH BS4449, BS4482 & BS4483.
 - 4/ MINIMUM LAP LENGTH 50 x BAR DIAMETER U.O.N.
- STRUCTURAL STEELWORK**
- 1/ ALL STEELWORK FOR CAST IN PLATES, SPRAGS, FLAT BAR ETC. TO BE IN ACCORDANCE WITH SABS 1431 GRADE 300WA OR SIMILAR APPROVED.
 - 2/ ALL WELDS TO BE MIN. 6mm CONTINUOUS FILLET U.N.O.
 - 3/ FABRICATION, WORKMANSHIP ETC. TO BE IN ACCORDANCE WITH SABS 1200M
 - 4/ ALL BOLTS TO SABS 1700 (ISO4016)



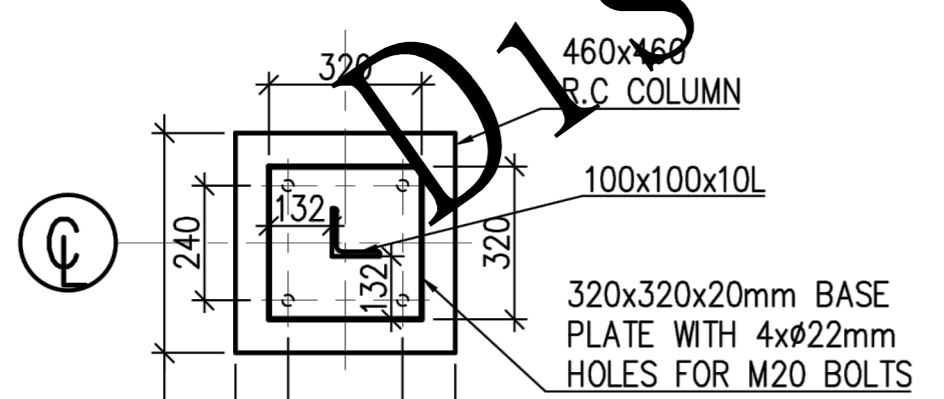
COLUMN TO BEAM CONNECTION DETAIL
SCALE 1:25



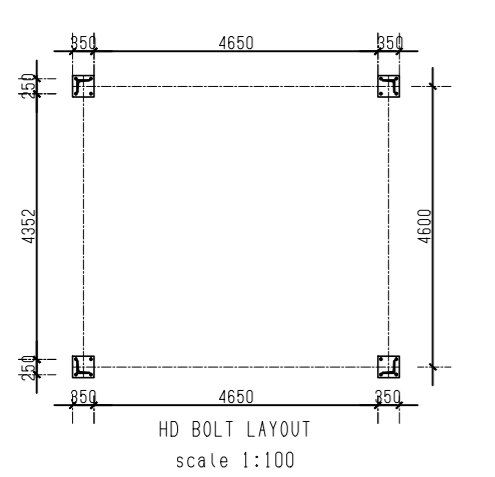
HAND RAILS ELEVATION
SCALE 1:50



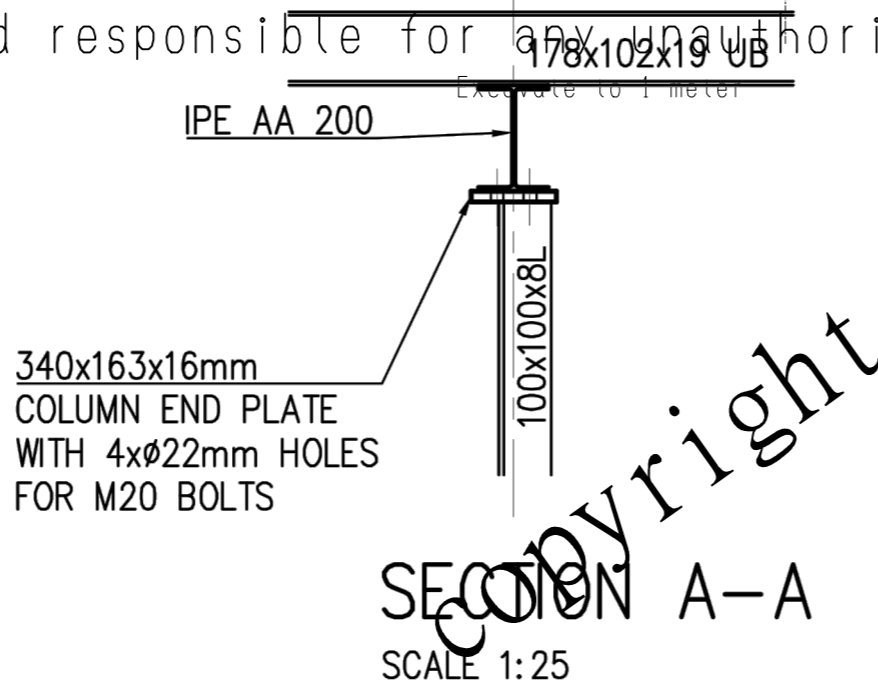
MAIN BEAM TO TOP BEAM CONNECTION
SCALE 1:25



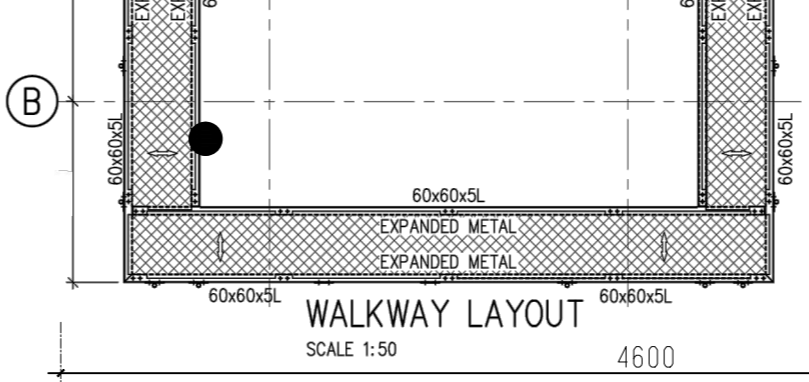
SECTION A-A
SCALE 1:25



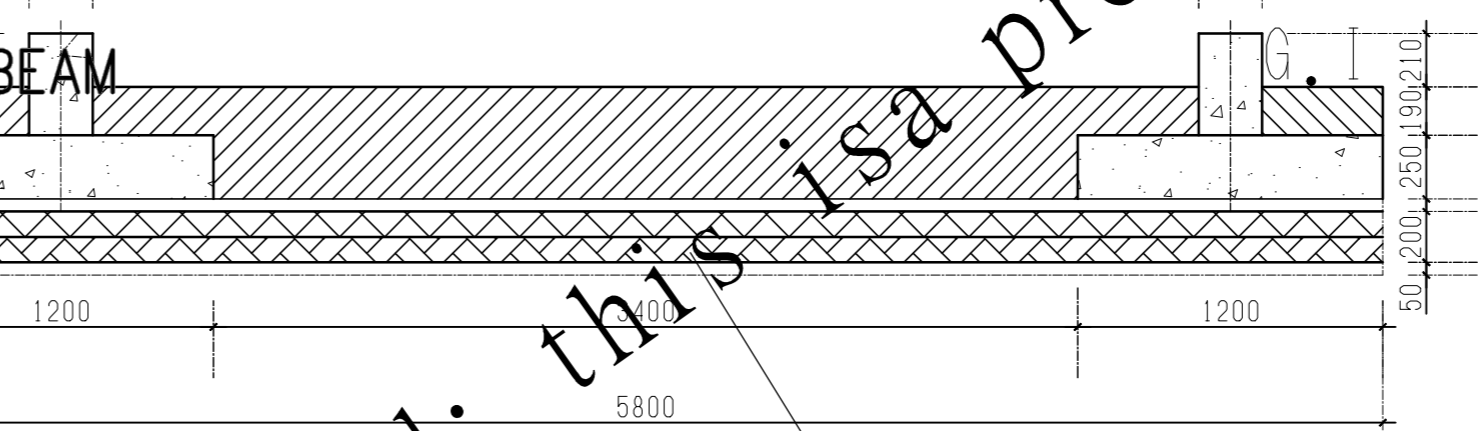
HD BOLT LAYOUT
SCALE 1:100



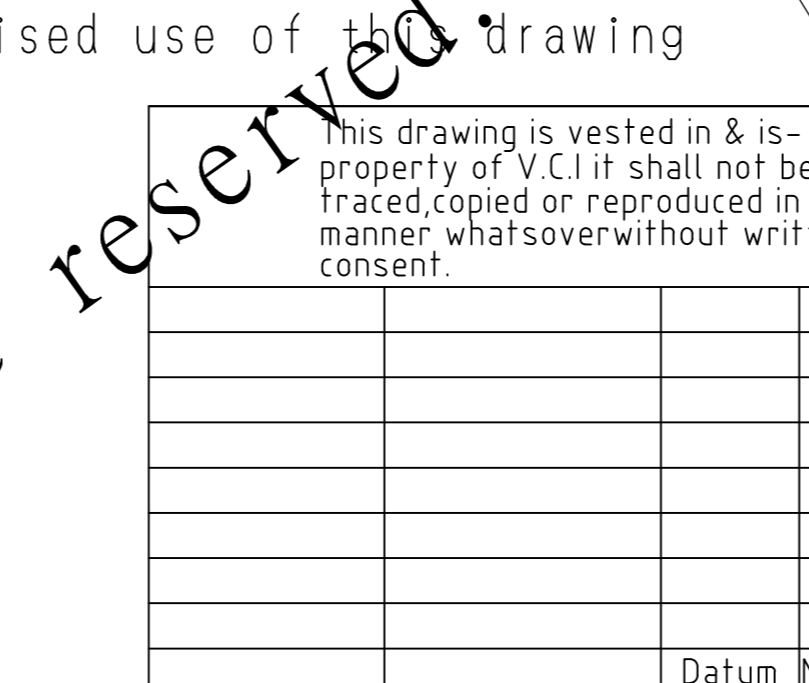
SECTION A-A
SCALE 1:25



WALKWAY LAYOUT
SCALE 1:50



MAIN BEAM TO TOP BEAM CONNECTION
SCALE 1:25



SECTION A-A
SCALE 1:25

CLIENT ;

Project Title	100KI GRP TANK ON 6M STAND
---------------	----------------------------

Savanna Tanks™
 Water Solutions for Africa

A DIVISION OF
VCI
 VANCOUVER CONSOLIDATED INVESTMENTS

Head Office
 P/Bag Bo 273
 Gaborone
 Botswana
vci@global.com

REV	A
-----	---

Datum Name multi-view detail plan

(Ers. f.:)

(Ers. d.:)

Copyright reserved. this is a property of Savanna Tanks

This drawing is vested in & is property of V.C.I it shall not be traced, copied or reproduced in any manner whatsoever without written consent.

R.E and Consultant responsible